

SEASIDE

SERVICE & QUALITY
BY TEMO

Modular and scalable electric pod systems

Discover the PODS SEASIDE range: easy to install, high-performance, attractive and manufactured in Brittany. They are perfectly suited to all type of boats.



500 W, 1 kW, 3 kW, 6 kW

OUR SOLUTIONS ARE IDEAL FOR:

- > boat owners;
- > boat rental companies;
- > leisure centres;
- > boat building professionals.

TEMO ADVANTAGES:

Since 2018, TEMO has been designing and manufacturing electric motors for leisure boats in [France](#). Based in [Vannes](#), the company offers a full range from [450 W to 6 kW](#), including outboards and pods, to meet the needs of both private boaters and professionals, such as shipyards and boatbuilders. With over [5,500 units](#) sold worldwide, TEMO has established itself as a key player in electric marine propulsion.

Committed to a [responsible approach](#), the 30-person company focuses on repairability, recycling, and [high-quality customer support](#), offering a sustainable and efficient alternative to traditional engines while promoting French industrial expertise.



- > Plug & Play system
- > Parallel-connectable batteries



- > Maintenance-free for up to 1500 engine hour
- > 3-year warranty



- > New builds and refit
- > Sail and motor boat



- > Semi-open system compatible with a wide range of equipment (displays/batteries)



- > Made in France
- > Local technical and support team



- > Hydrogeneration
- > Mechanical seal waterproofing in motor units

POWERTRAIN SYSTEM BY TEMO

The SEASIDE range offers modular systems that can be used to create an electric propulsion system tailored to the desired power and range of the boat. It stands out for its modularity, energy efficiency and ease of integration with reliable and durable components.

CHOOSE A PROPULSION SYSTEM THAT SUITS YOUR NEEDS:

MULTIPLE MECHANICAL INTEGRATIONS



OUTBOARD
Outboard architecture for external installation.



OUTPOD™
External installation, rotatable, height-adjustable, minimalist.



POD - fixed
Installation under the hull of the boat.



POD - steerable
Installation under the hull of the boat (in a rudder tube).

ON-DEMAND ELECTRICAL SOLUTIONS



TEMO BATTERIES
Choose a secure, intelligent, and connected system that includes portable rack-mountable batteries.



PARTNER BATTERIES
Select your battery pack from a range of partner brands. This will provide you with a semi-open system.



CUSTOM
TEMO offers battery-free systems to fit your existing battery pack.

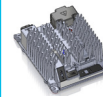
PERFECT ERGONOMICS FOR A COMPLETE ECOSYSTEM



TEMO REMOTE THROTTLE
Control your engine with ease. The remote throttle fits into your cockpit.



TEMO DISPLAYS
Clear and efficient, TEMO displays provide all useful information instantly.
> Available in premium colour or standard versions.



CHARGER
The 48V charger recharges TEMO batteries. It effectively protects the system from overcharging and short circuits.
> Available in home/on-board and standard/fast versions.

PLUG & PLAY INSTALLATION

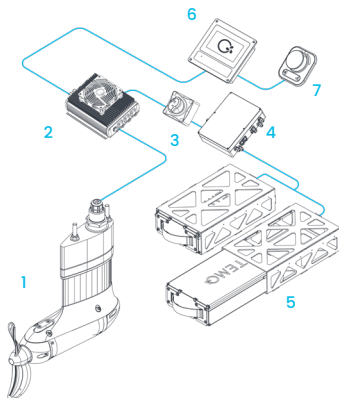
Each TEMO system is delivered ready to be installed in the boat and is CE certified.

48V

All of our systems are designed for 48V, for easy and secure complete installation.

SOLAR COMPATIBLE & HYDROGENERATION

TEMO is committed to developing solutions that optimise on-board energy management.



EXAMPLE TEMO 3000POD COMPLETE SYSTEM

1. TEMO 3000POD motor
2. Motor control unit
3. Circuit breaker
4. Junction box
5. Batteries with autoconnect racks
6. Control panel
7. Speed control

PODS TECHNICAL SPECS	500 W	1 kW	3 kW	6 kW (available in 2026)
Input power	450 W	1100 W	3100 W	6100 W
Thrust	12 kg	27 kg	67 kg	115 kg
RPM	1300 rpm	1300 rpm	1450 rpm	1300 rpm
Torque	3.3 N.m	6 N.m	16 N.m	36 N.m
Mecanical seal waterproofing	NO	YES	YES	YES



CUSTOM

TEMO and our design office will work with you to develop a tailor-made solution. Please don't hesitate to contact us.



MORE INFORMATION
www.temofrance.com/pods

E-mail: luc@temofrance.com
Tel : +33 9 70 70 38 80

TEMO