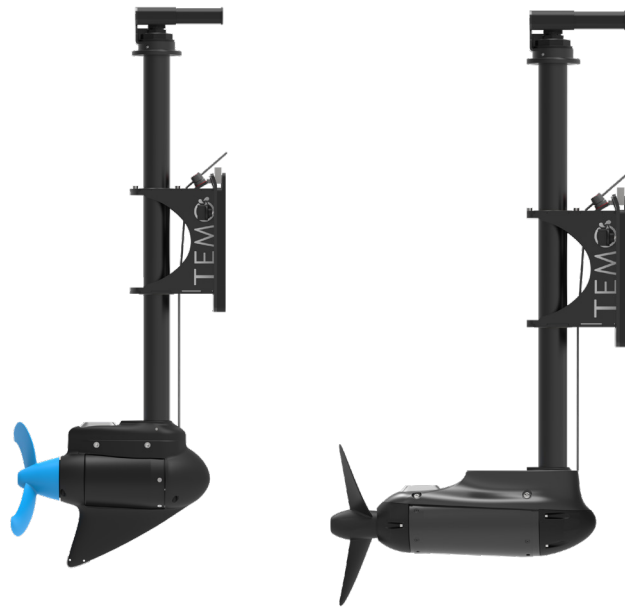


Discover the OUTPOD™ by TEMO

The **electric propulsion**
solution for sailboats.



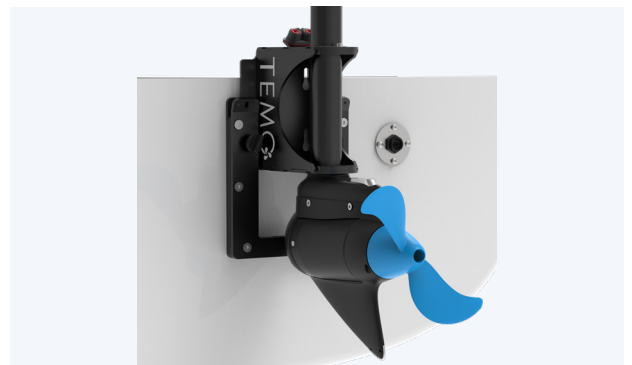
Available in 500 W, 1 kW and 3 kW, the OUTPOD™ is an integral part of the SEASIDE range, TEMO's modular electric ecosystem. It combines the advantages of an electric pod and the simplicity of an outboard motor.

DESIGNED FOR SAILBOATS



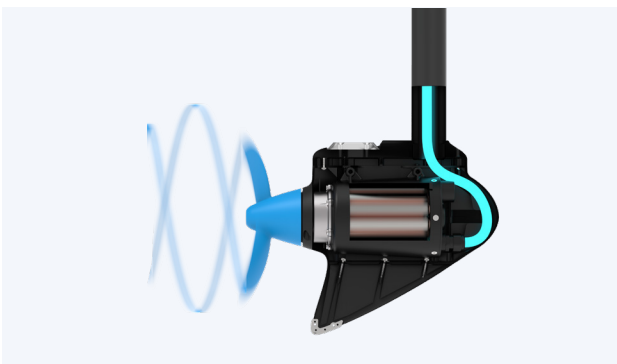
- > Ideal solution for sailboats up to 9 m
- > Vertically tiltable, 180° rotating
- > Minimal bulk and very compact
- > Easy to install out of the water in a few seconds to prevent fouling, electrolysis, and drag under sail

QUICK INSTALLATION



- > Plug & Play system for a quick installation
- > Lightweight installation (12 kg for the 1000OUTPOD™)
- > Easily removable for storage and maintenance
- > Watertight front connector

HIGH-PERFORMING



- > Minimal maintenance up to 1,500 hours of use
- > Brushless motor thanks to mechanical seals
- > Completely waterproof (IP68)
- > Intelligent motor power management to preserve battery lifespan
- > Compatible with hydrogenation and solar panels

CUSTOMIZABLE RANGE



- > Sensitive components (batteries, control, cables) remoted inside for a better weight distribution and increased longevity
- > Rackable and parallelizable TEMO battery pack
- > Semi-open system compatible with partner batteries
- > Customizable range

CHOOSE A FRENCH PROPULSION SYSTEM MADE FOR YOUR NEEDS COMBINING THE ADVANTAGES OF AN OUTBOARD MOTOR AND A POD DRIVE.

MULTIPLE POWER OPTIONS AVAILABLE

500COUTPOD™

Static thrust: 12 kg Propeller rotation: /
Weight: 6 kg Torque: /

1000COUTPOD™

Static thrust: 27 kg Propeller rotation: 1300 tr/min
Weight: 12 kg Torque: 6 Nm

3000COUTPOD™

Static thrust: 67 kg Propeller rotation: 1450 tr/min
Weight: 19 kg Torque: 16 Nm

ON-DEMAND ELECTRIC SOLUTIONS

TEMO BATTERIES

Choose a secure, intelligent and connected system that includes rackable portable batteries.

PARTNER BATTERIES

Choose your battery pack from a selection of partner brands, for a semi-open system.



CUSTOM

TEMO offers systems without batteries to adapt to your existing battery pack.

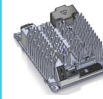
PERFECT ERGONOMICS FOR A COMPLETE SYSTEM

TEMO THROTTLES

Control your motor with ease. The remote throttle integrates seamlessly into your helm station.

TEMO DISPLAYS

Clear and high-performance, TEMO displays provide all essential information instantly. (Available in standard or premium versions.)



CHARGERS

The 48V charger recharges TEMO batteries. It effectively protects the system against overcharging and short circuits. (Available in home/onboard and standard/fast versions.)

PLUG & PLAY INSTALLATION

Each TEMO system is delivered ready to install and CE certified.

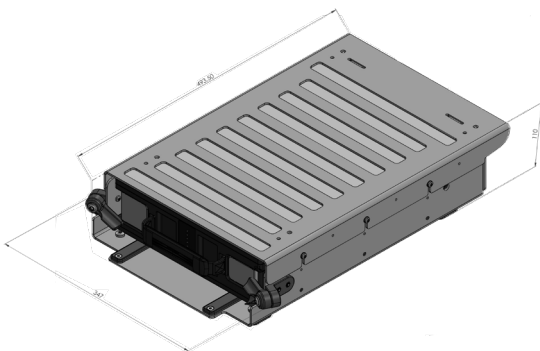
48V

All our systems are designed to operate at 48V, ensuring easier and safer complete installation.

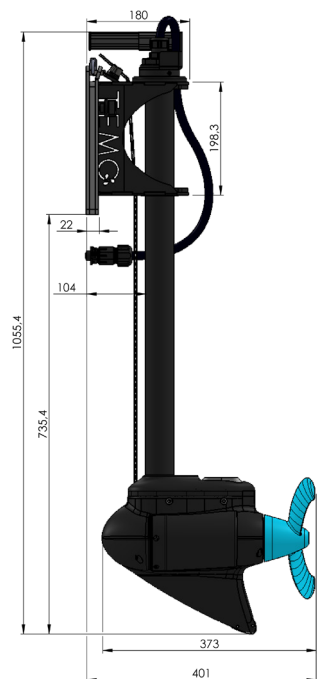
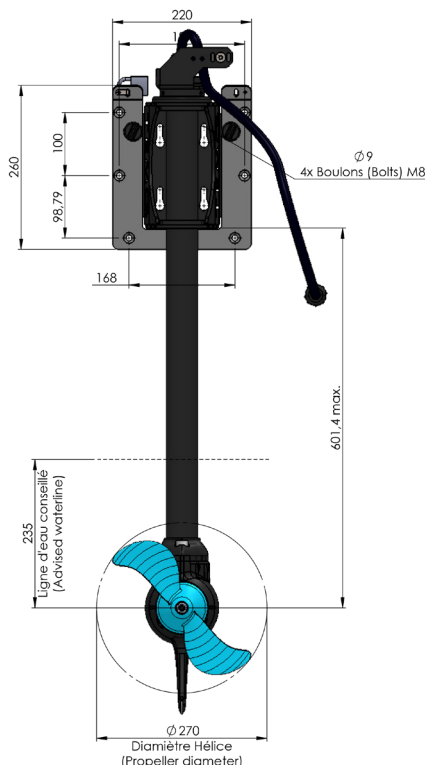
SOLAR AND HYDROGENERATION COMPATIBLE.

TEMO is committed to developing solutions that optimize onboard energy management.

System 1000COUTPOD™



Batteries examples	Weights	Range (at 1100 w)
2,3 kW TEMO battery with auto-connect rack	12 kg	2h50
Stationary battery Powertech (Powerbrick - 48 V/32 Ah 1640 Wh)	13,5 kg	1h30



MORE INFORMATION
www.temofrance.com/outpod

Email: hello@temofrance.com
Tel: +33 9 70 70 38 80



SERVICE & LOCAL SUPPORT

17 rue Daniel Gilard,
56000 Vannes - France

TEMO